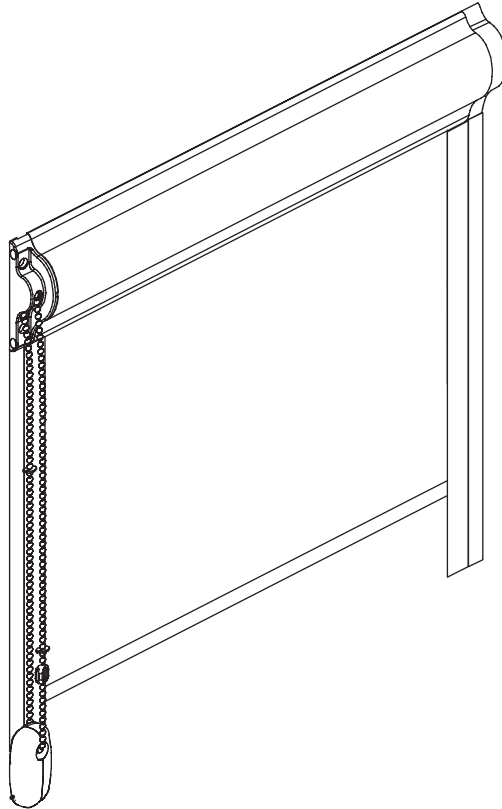


## Micro Cassette Fitting Instructions: Day & Night, Blackout and Standard Blinds



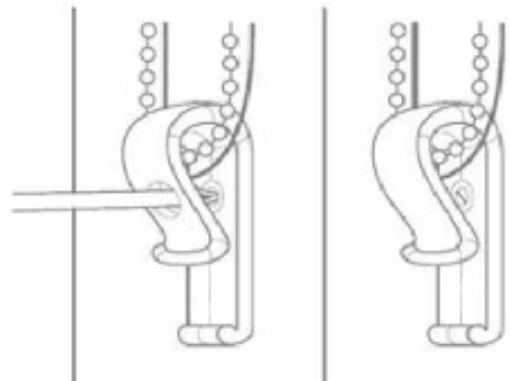
### WARNING

Young children can be strangled by loops in pull cords, chains, tapes and inner cords that operate the product. To avoid strangulation and entanglement, keep cords out of the reach of young children. Cords may become wrapped around a child's neck. Move beds, cots and furniture away from window covering cords. Do not tie cords together. Make sure cords do not twist and create a loop



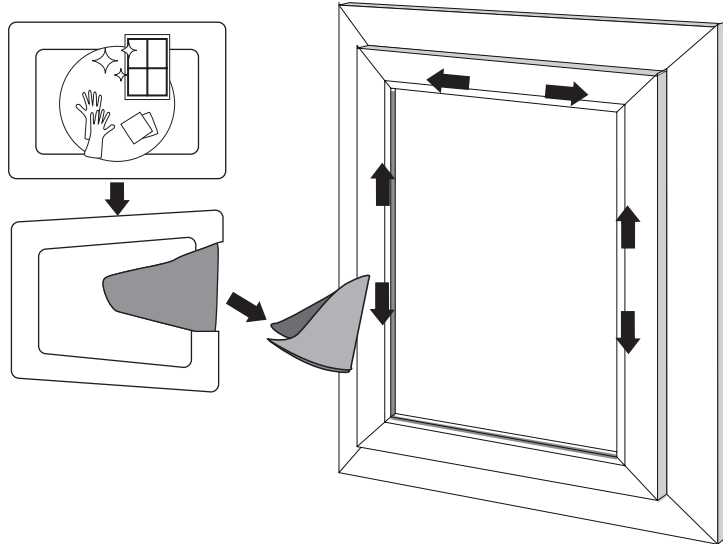
### SAFETY DEVICE

Children can be strangled if a safety device is not installed. Always use a safety device to keep cords or chains out of reach of children. The safety device must be installed at the maximum distance possible from the control mechanism and at least 1.5m from the floor. Place the safety device on the wall and mark the positioning of the screw hole. Wrap the cords around the cleats as shown

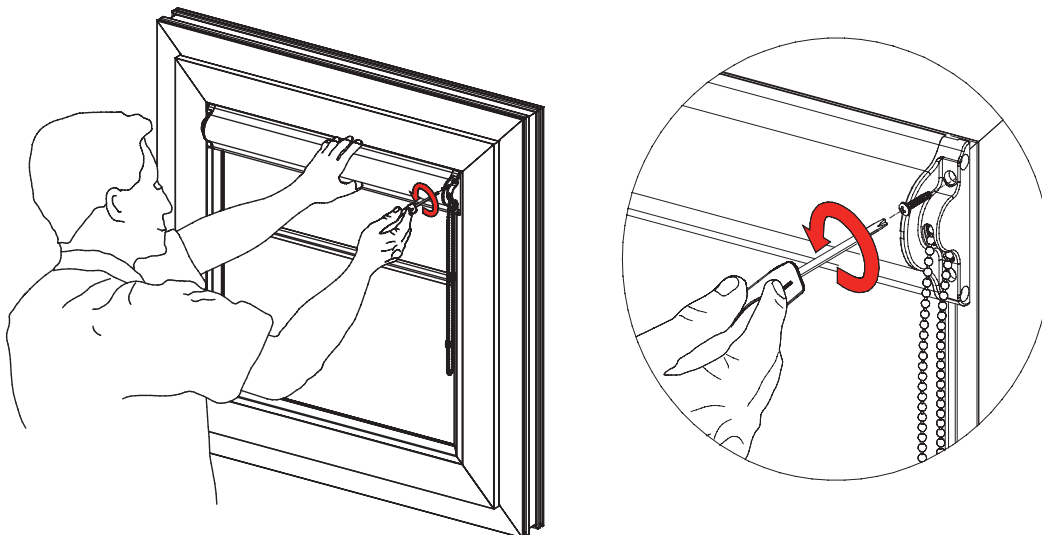




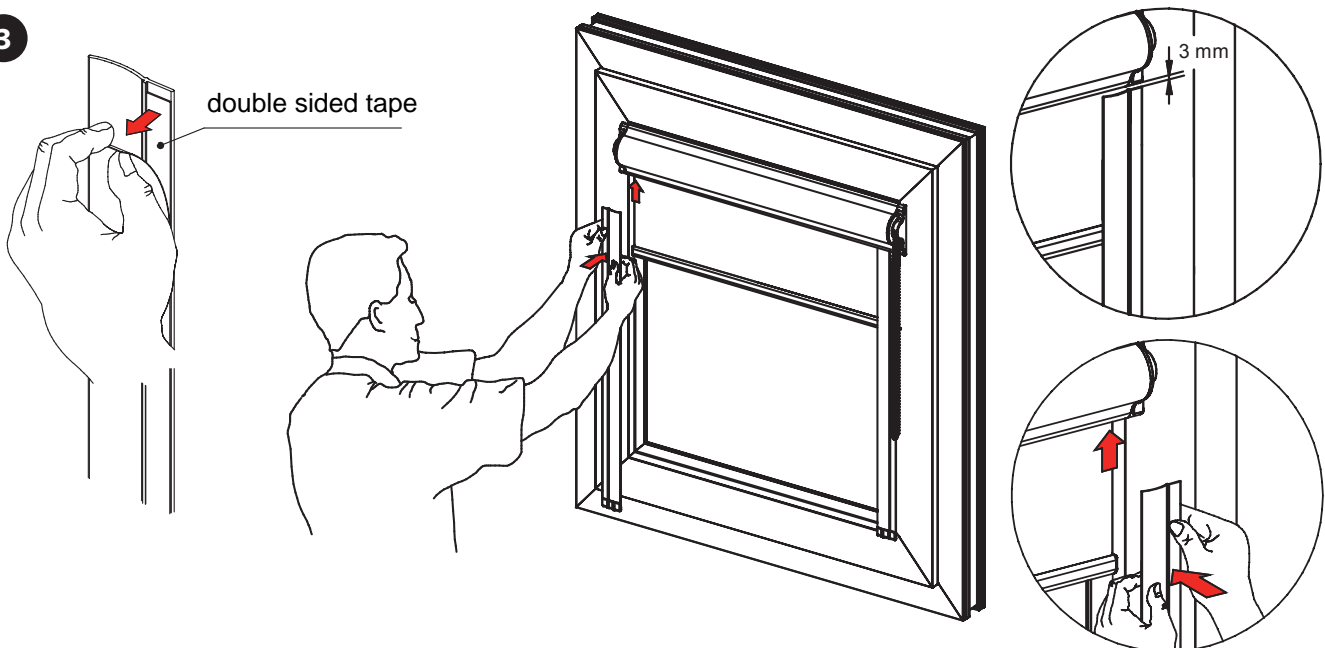
1



2



3

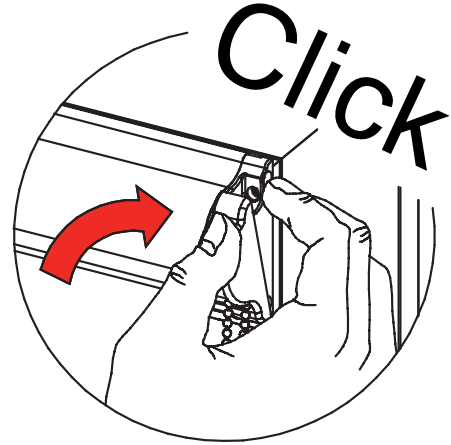
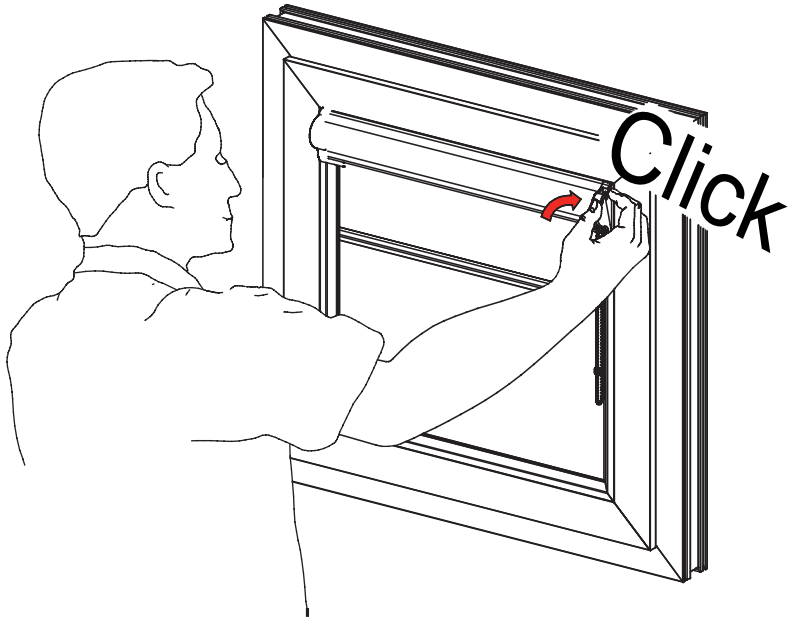


double sided tape

3 mm



4



5

